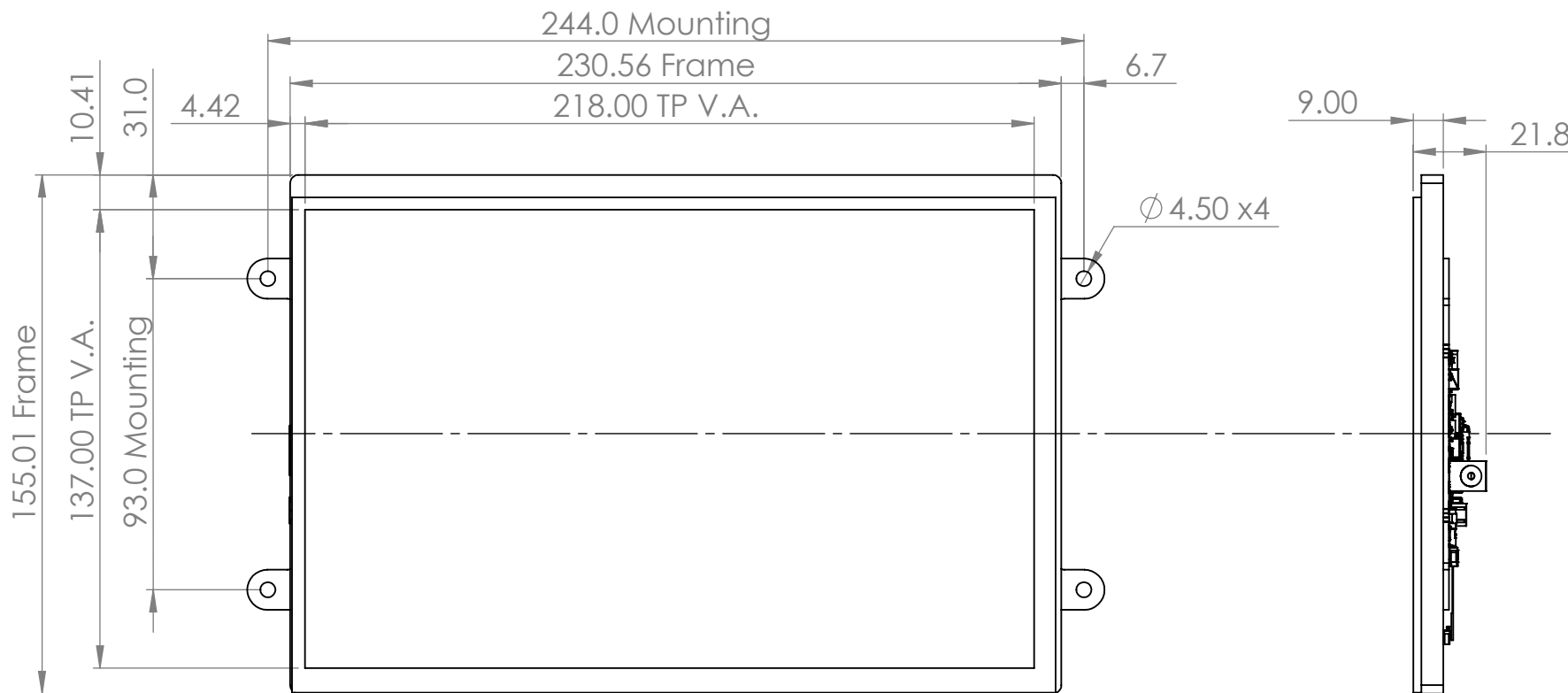


REVISIONS					
SHEET	ZONE	REV.	DESCRIPTION	DATE	APPROVED
			Initial Release	30/10/2019	BDI



PAPER SIZE: Letter

UNLESS OTHERWISE SPECIFIED:  
 DIMENSIONS ARE IN mm  
 TOLERANCES:  
 FRACTIONAL  $\pm 0.1$   
 TWO PLACE DECIMAL  $\pm 0.01$   
 THREE PLACE DECIMAL  $\pm 0.001$   
 ANGULAR: MACH  $\pm 0.5^\circ$

TITLE: HTT101F-TPR

Printed On: 2019-10-08

DWG. NO.

REV 1.0

Drawn By: Brian Ingwersen

DO NOT SCALE DRAWING SCALE: 1:2 WEIGHT:

SHEET 1 OF 2

1

2

3

4

5

D

D

C

C

B

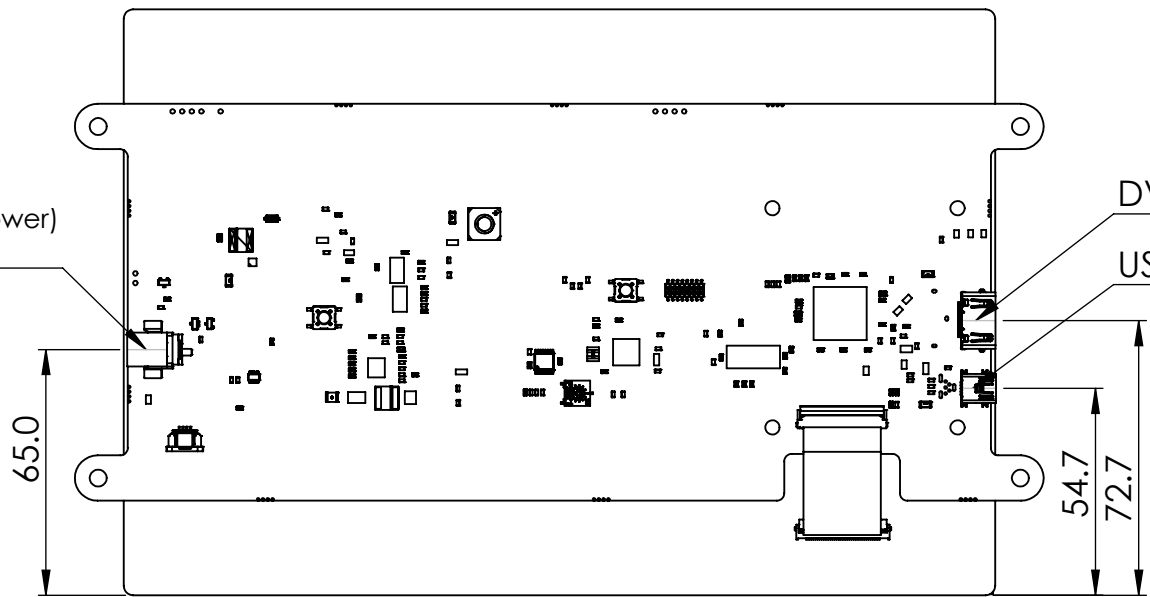
B

A

A

2.1mm Center Positive (power)  
 $5V \leq V_{in} \leq 17V$

DVI/HDMI  
 USB Mini B



PAPER SIZE: Letter

UNLESS OTHERWISE SPECIFIED:  
 DIMENSIONS ARE IN mm  
 TOLERANCES:  
 FRACTIONAL ± 0.1  
 TWO PLACE DECIMAL ± 0.01  
 THREE PLACE DECIMAL ± 0.001  
 ANGULAR: MACH ± 0.5°

TITLE: HTT101F-TPR

Printed On: 2019-10-08

DWG. NO.

REV 1.0

Drawn By: Brian Ingwersen

DO NOT SCALE DRAWING SCALE: 1:2 WEIGHT:

SHEET 2 OF 2

1

2

3

4

5