



---

## Product Change Notification

**PCN No:** 2019-04-26-01  
**Report Date:** April 26, 2019  
**Subject:** GLX240128D-25-XX Screen Change

---

### List of New Products:

All the following Graphic LCDs (and all their variants):

<p>MOP-GL240128D-BWFW-XXX-XXX MOP-GLT240128D-BWFW-XXX-XXX GLK240128-25-WB-XX-XX PCB Rev 4.0 GLT240128-WB-XX-XX PCB Rev 4.0 (-XX: protocol, temperature and voltage options)</p>
---

### Reason for Change:

Our manufacturer has updated the 240x128 WB displays – displays used with the GLK240128-25-WB-XX and GLT240128-WB-XX PCB Rev 4.0 series board.

### Schedule of Change:

March 1, 2021

**Product Change:**

The following list of hardware changes is effective on all the variants of the graphic displays as stated under 'List of New / Changed Products'.

**Hardware Changes:**

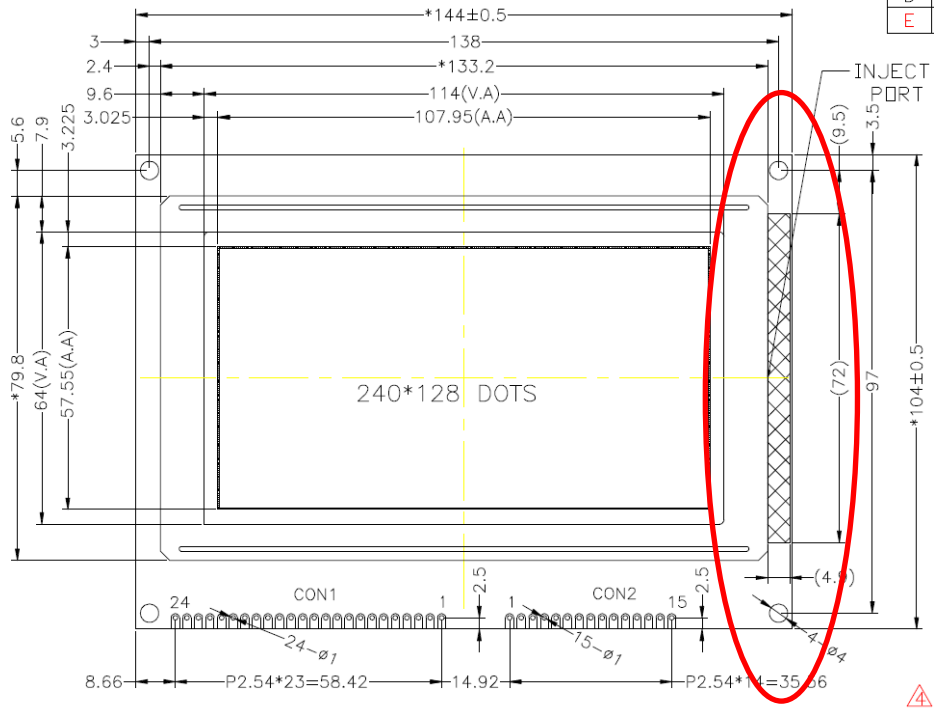
- Graphic LCD controller (T6963 compatible) and segment driver changes.
- Minor bezel and backlight module changes. Please see details below:

# CURRENT DISPLAY

VIEWING DIRECTION



REV.
A
B
C
D
E

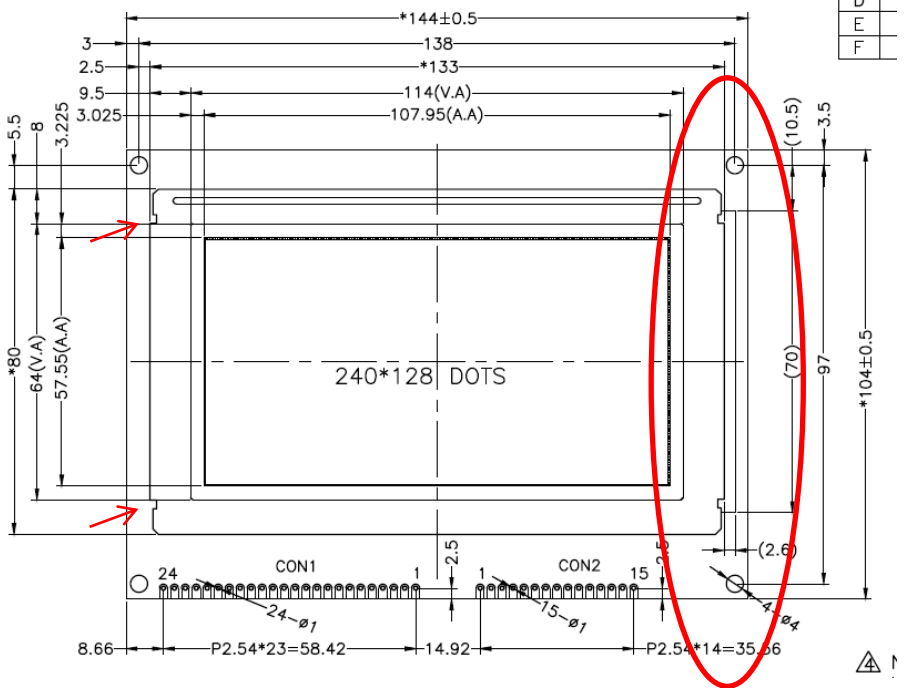


# NEW DISPLAY

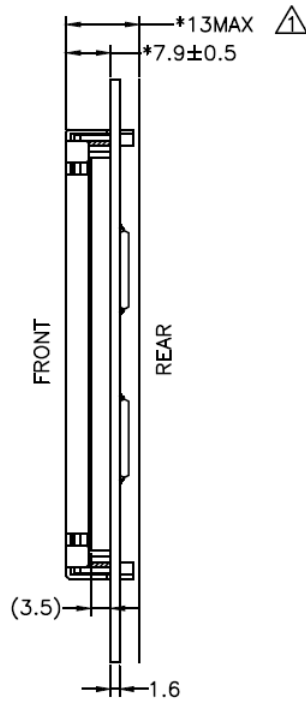
VIEWING DIRECTION



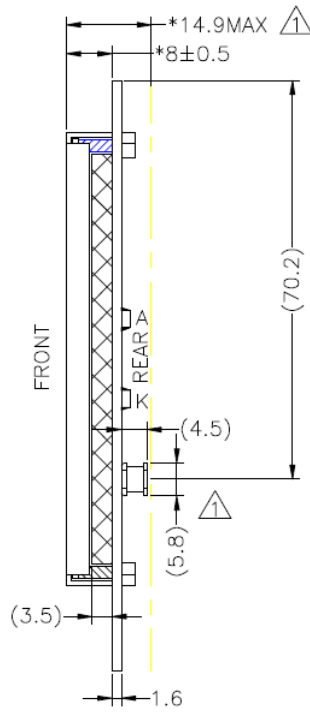
A
B
C
D
E
F



### CURRENT DISPLAY



### NEW DISPLAY



No functionality changes.

**Please see the manual for in depth details.**

## Documentation Revision

Revision	Changes	Date	Author
1.1	Updated Schedule of Change	March 12, 2021	R Malinis
1.0	Initial Release	April 26, 2019	R Malinis

### Contact Information:

Sales: [sales@matrixorbital.ca](mailto:sales@matrixorbital.ca)

### Reference Documents:

Location: <http://www.matrixorbital.ca/manuals/>

### Approvals:

Development: **Henry Jakl (Design and Development Manager)**

Production: **Yuko Hansen (Production Manager)**