



---

## Product Change Notification

**PCN No:** 2021-05-28-01  
**Report Date:** May 28, 2021  
**Subject:** HTT50x PCB Rev 3.0.2 Release

---

### List of New Products:

HTT50A-IPS-TPx-BLH-B0-Hx-CH-Vx PCB Rev 3.0.2 HTT50G-IPS-TPC-BLH-B0-Hx-CH-Vx PCB Rev 3.0.2 TPx - resistive, capacitive and non-touch variants Hx - all connector orientation variants Vx - all power variants
--

### Reason for Change:

Matrix Orbital has upgraded HTT50A PCB 1.1.1 and HTT50G PCB 1.0.0 with several changes to enhance the hardware, and offer new features and benefits. The new HTT50x PCB 3.0.2 is released with the use of 5.0" IPS high brightness TFT displays: MOP-TFT800480-50A-IPS and MOP-TFT800480-50G-IPS. Please see module comparisons under 'Product Change'.

### Schedule of Change:

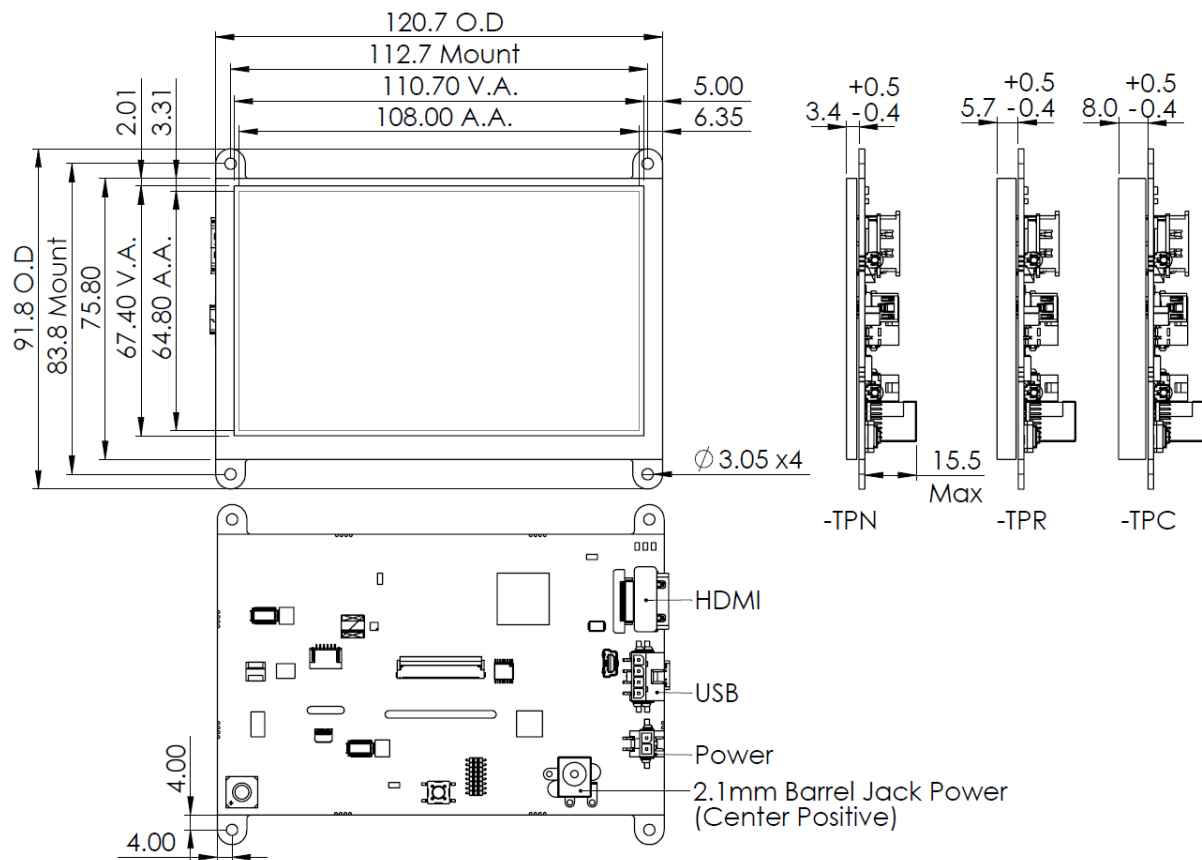
May 20<sup>th</sup> 2021

### Product Change:

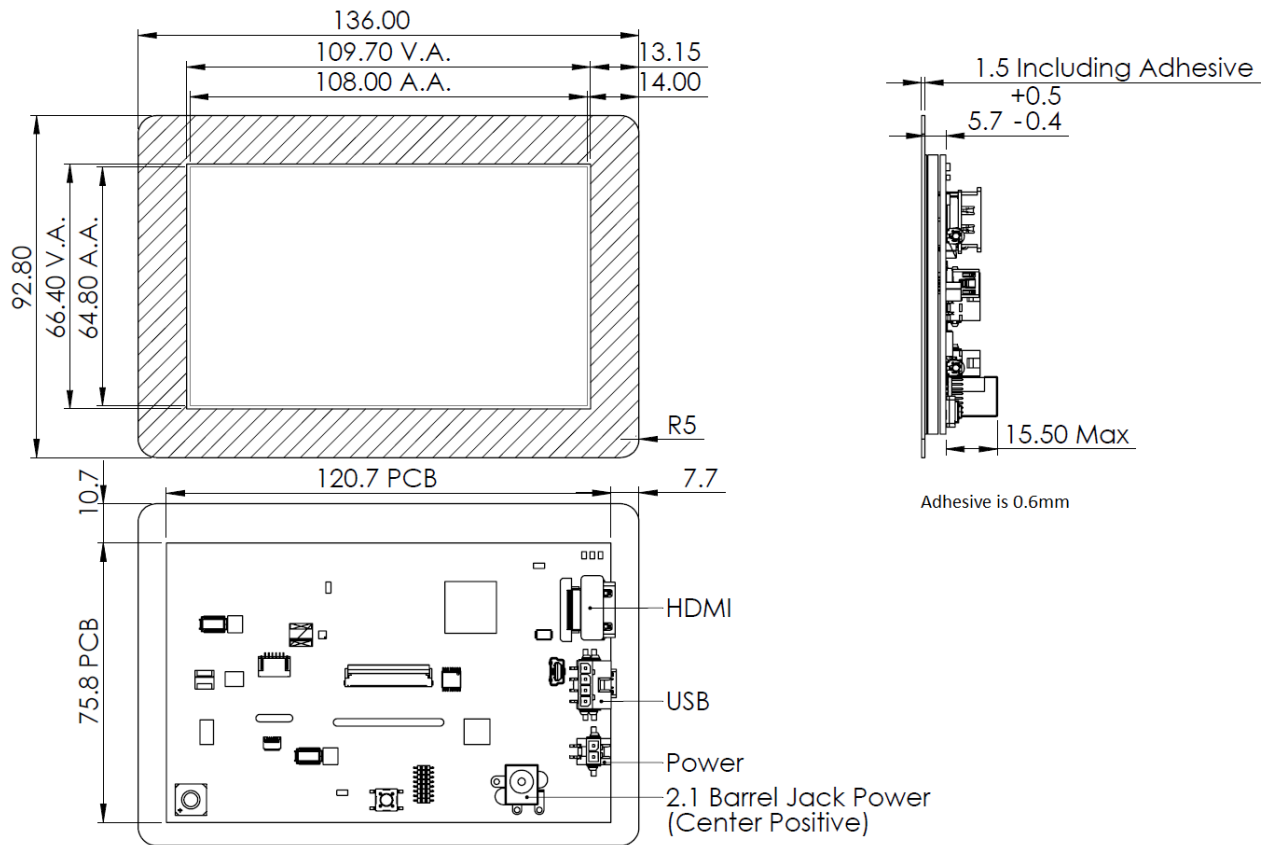
The following list of hardware changes is effective on all the variants of the graphic displays as stated under 'List of New / Changed Products'.

## Hardware Changes:

- New PCB 3.0.2 is 4-layer for better noise immunity
- Backlight driver circuitry updated
- Added vibratory motor and piezo for better haptic feedback (orderable option)
- Added alternate micro MATE-N-LOK footprint for power, and USB connections
- Added alternate FFC connection for HDMI connection
- Removed external header pad connections for Backlight, PWR, 3V3, GND
- Removed external header pad for EDID EEPROM connections: 5V, SCL, SDA, GND
- The new PCB 3.0.2 is released with the use of 5.0" IPS high brightness TFT displays: MOP-TFT800480-50A-IPS and MOP-TFT800480-50G-IPS.
- Power (barrel jack) connector, and oversized capacitive touch panel FFC connector have changed/moved, please see below drawings.
- New default power option: power (5V for -V5 or 9-35V for -VPT) is to be supplied via barrel jack; power via USB (for -V5 only) is possible via custom order.



HTT50A PCB 3.0.2



HTT50G PCB 3.0.2

Please see the [manual](#) for in depth details.

## Documentation Revision

Revision	Changes	Date	Author
1.1	Power via Barrel Jack	June 15, 2021	R Malinis
1.0	Initial Release	May 27, 2021	R Malinis

## Contact Information:

Sales: [sales@matrixorbital.ca](mailto:sales@matrixorbital.ca)

## Reference Documents/Attachments:

Location: <http://www.matrixorbital.ca/manuals/>

## Approvals:

Development: **Henry Jakl (Design and Development Manager)**

Production: **Yuko Hansen (Production Manager)**