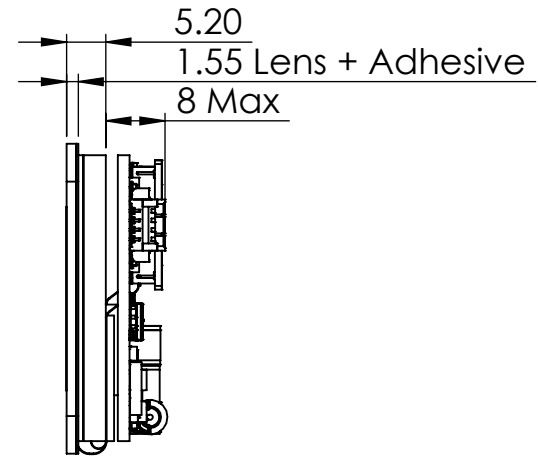
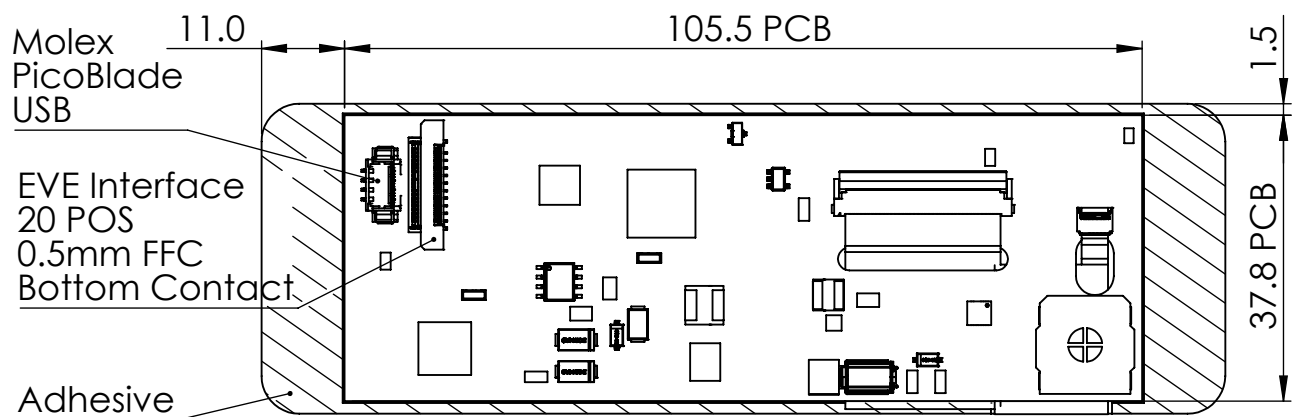
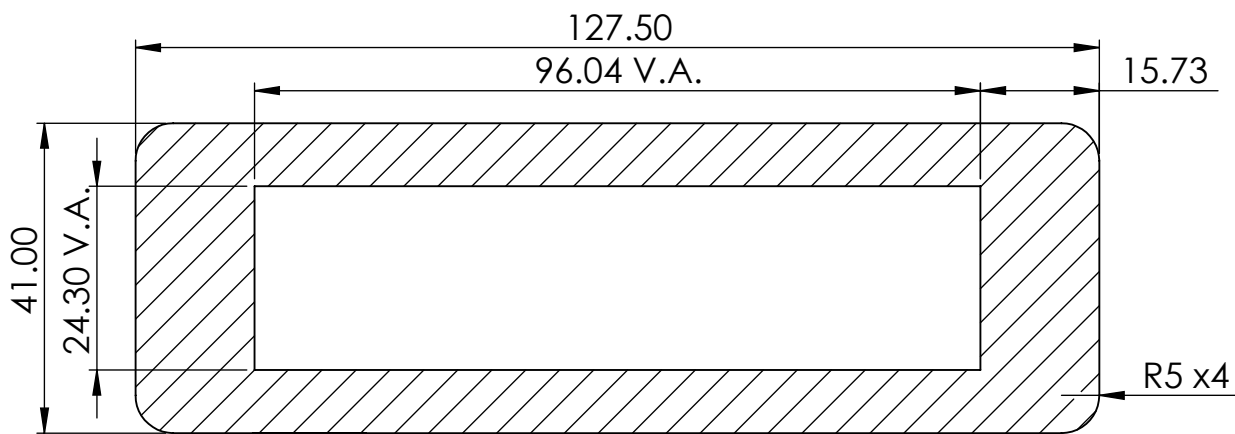


REVISIONS			
ZONE	REV.	DESCRIPTION	DATE
	A	Initial Release	2023-03-09



PAPER SIZE: Letter	UNLESS OTHERWISE SPECIFIED: DIMENSIONS ARE IN mm TOLERANCES: FRACTIONAL ± 0.1 TWO PLACE DECIMAL ± 0.01 THREE PLACE DECIMAL ± 0.001 ANGULAR: MACH ± 0.5°	TITLE: EVE3x-38G	
Printed On: 2023-03-09		CUSTOM NUM: N/A	PCB/HDW REV: 1.0.0
Drawn By: Brian Ingwersen		SCALE: 1:1	
		DO NOT SCALE DRAWING	SHEET 1 OF 1