



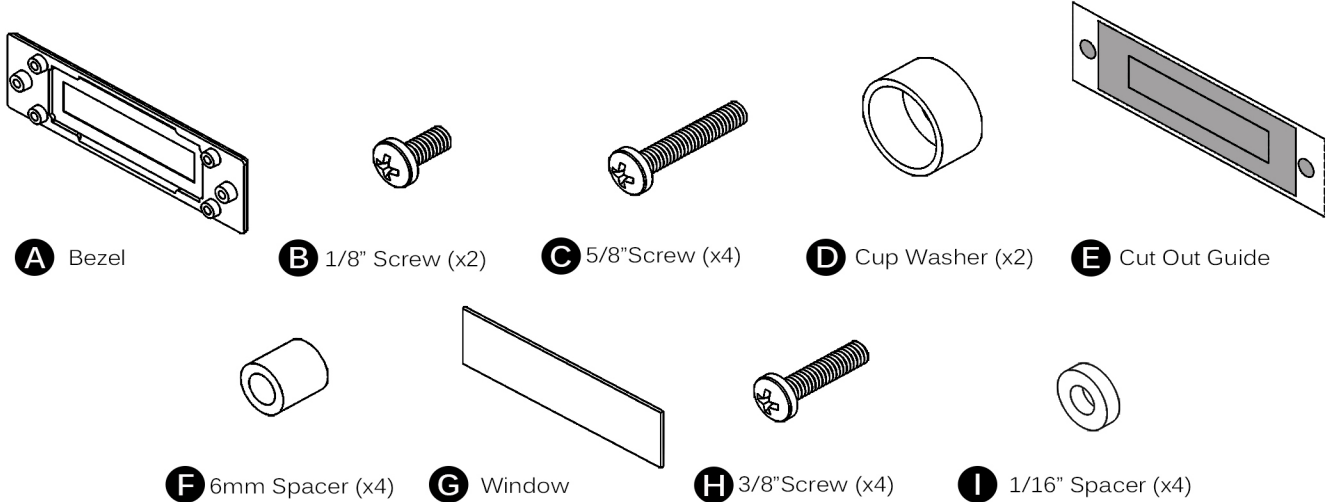
Matrix Orbital

Mounting Bezel Instructions
BEZ-202C-V1-W-KIT

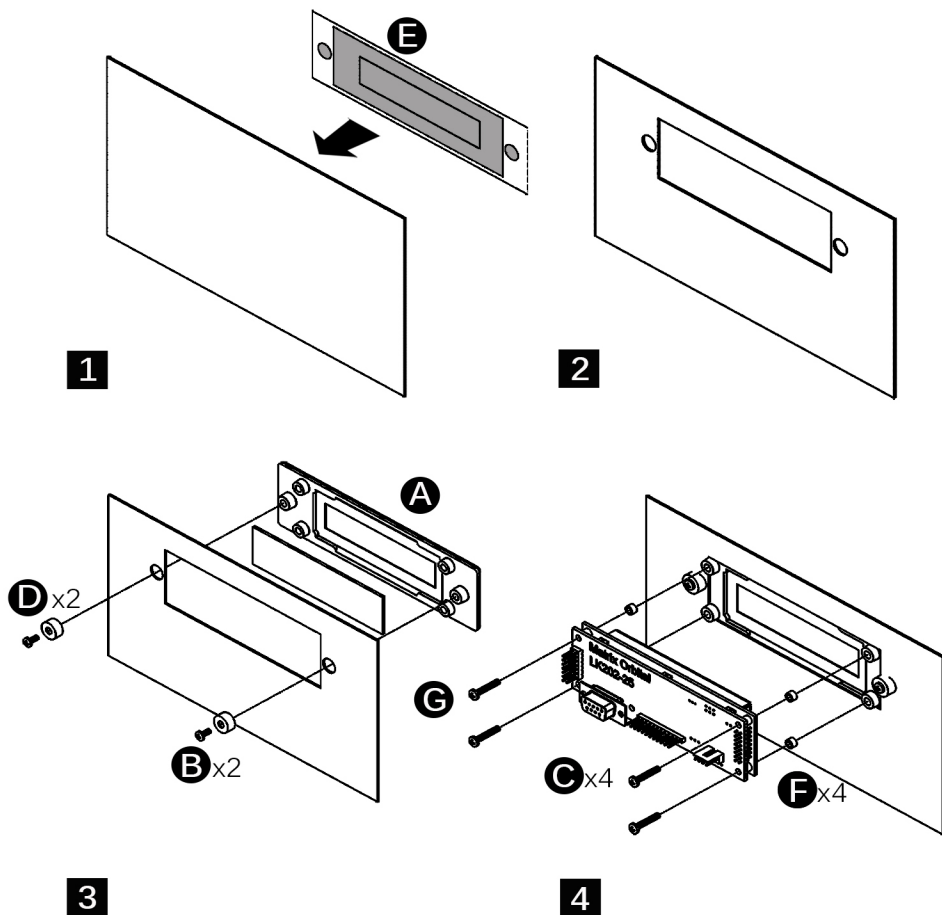
Contact

support@matrixorbital.ca
sales@matrixorbital.ca
(403) 229-2737
www.matrixorbital.ca
www.matrixorbital.com
www.lcdforums.com

Package Contents



Directions



Before starting, choose location on panel for bezel, ensuring adequate clearance inside of enclosure.

- 1** Place **E** Cut Out Guide on outside of panel at desired location, using the text for correct orientation.
- 2** Cut hole along solid lines, removing shaded area. Drill out circular areas using 9.5mm or 3/8" bit. Remove **E** Cut Out Guide.
- 3** Remove protective film from **G** Window. Affix **G** Window to **A** Bezel. Attach **A** Bezel to panel using **D** Cup Washers and **B** 1/8" Screws. Be careful to not over tighten.
- 4** Attach display to **A** Bezel using **C** 5/8" Screws and **F** 6mm Spacers.

NOTES:

- If mounting GLK series display, use **H** 3/8" Screws and **F** 6mm Spacers
- If mounting OK series display, use **H** 3/8" Screws and **I** 1/16" Spacers.